

# High Speed Data Networks

SIAMnet™

## ETHERNET NETWORKS FOR AUTOMATION AND BUSINESS APPLICATIONS



### HIGHLIGHTS

- Based on the CATV Data Over Cable (DOCSIS) standard
- Proven technology which provides broadband internet services to millions of homes worldwide
- Eliminate the need for a separate data communication infrastructure
- May be used as a backup to a fiber optic network

### FEATURES

- Compatible with all DOCSIS compliant products and manufacturers
- Supports five independent DOCSIS 2.0 Ethernet networks of 25 Mbps each
- Networks may be bonded together using DOCSIS 3.0 compliant devices to create faster networks
- Independent networks give customers the ability to have a network visible from the internet while others are physically disconnected from it
- Networks may be assigned to different administrators or by functions
- The ethernet gateway provides power to the connected device
- The WIFI access point supports 2.4GHz or 5GHz devices

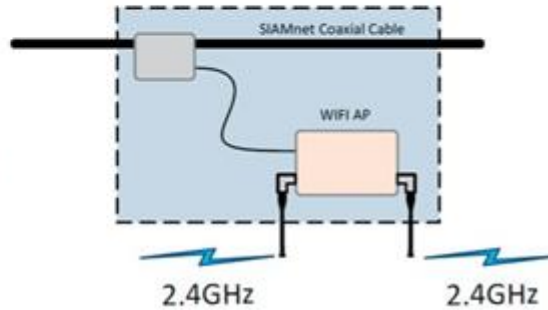
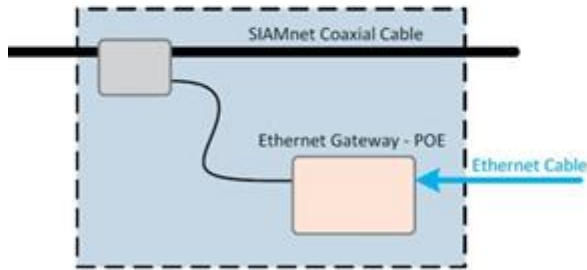
### APPLICATIONS

- WIFI enables people or machinery to communicate wirelessly
- VOIP: telephones, backup emergency communication system, etc.
- Video surveillance: cameras in strategic locations, real-time video or on demand, etc.
- Internet: business related web sites
- Smartphones: social media using the WIFI infrastructure at specific locations
- Enables mining automation technologies such as: Process Control, Remote Blasting, Ventilation on Demand, Personnel and Vehicle Tracking, etc.





# High Speed Data Networks



## TECHNICAL DATA AND SPECIFICATIONS

### ELECTRICAL DATA

Electrical Power	40–90 VAC, 18 W
RF Power	55 dBmV
Cable Modem Sensitivity	-15 to +15 dBmV
Impedance	75 Ohm
Operating Band	5–42 MHz US 150–300 MHz DS
Channel Bandwidth	6.4 MHz
Termination	F female
Interface Ports	100BaseT - POE ports facilitates the use of IP phones and cameras
Throughput	30 Mbps
WIFI (ubiquiti)	802.11 n 2X2MIMO Configurable as Hotspot, Point to Point, Point to MultiPoint and Mesh

### MECHANICAL DATA

Weight	8 lbs/3.6Kg (Supported by messenger cable or Mesh)
Dimensions	12" x 9" x 6" (305 x 229 x 152 mm)
Temperature	-40 to +60°C

North America: +1.234.806.0018 | Sales.US@Cattron.com  
 Europe: +49.2151.4795.0 | Sales.EU@Cattron.com  
 UK: +44.1932.238121 | Sales.UK@Cattron.com  
 South America: +55.19.3518.7030 | Sales.BR@Cattron.com  
 Asia: Sales.CN@Cattron.com

[cattron.com](http://cattron.com)

9A06-S-HSN-A001

Any information furnished by Cattron™ and its agents is believed to be accurate and reliable. All specifications are subject to change without notice. Responsibility for the use and application of Cattron products rests with the end user since Cattron and its agents cannot be aware of all potential uses. Cattron makes no warranties as to non-infringement nor as to the fitness, merchantability, or sustainability of any Cattron products for any specific or general uses. Cattron Holdings, Inc., or any of its affiliates or agents shall not be liable for incidental or consequential damages of any kind. All Cattron products are sold pursuant to the Terms and Conditions of Sale, a copy of which will be furnished upon request. When used as a trademark herein, Cattron means Cattron Holdings, Inc. or one or more subsidiaries of Cattron Holdings, Inc. Cattron™, corresponding logos, and other marks are trademarks or registered trademarks of Cattron Holdings, Inc. Other marks may be the property of third parties. Nothing herein provides a license under any Cattron or any third party intellectual property right.

