



PVS - HW (HARD WIRED)

The Cattron PVS800-HW Video Monitoring System gives the operator clear video pictures of critical areas around the equipment which are not in direct line of sight. Mounted on the instrument panel, power for both the camera(s) and monitor is provided through a single cable attached to the vehicle's 12/24 volt DC power supply.



Video Monitor

- Full color high resolution LCD display, 14.2 cm (5.6") diagonal picture
- Automatic image reverse
- Military specification connectors
- Automatic camera selection when vehicle changes direction*
- Manual override for forward/reverse camera*
- 16.5 x 11.5 x 6.4 cm (6 1/2" x 4 1/2" x 2 1/2")
- 1.4kg (3lbs)
- Watertight die-cast aluminum housing
- Brightness control
- Power on/off switch



Camera System

- Automatic light compensation processing
- 3.7mm wide angle lens (other lenses optional)
- Watertight hardened black anodized aluminum case
- Halogen light assembly (optional)
- Approx. 10 x 15.25 x 15.5cm (4" x 6" x 6 1/8")

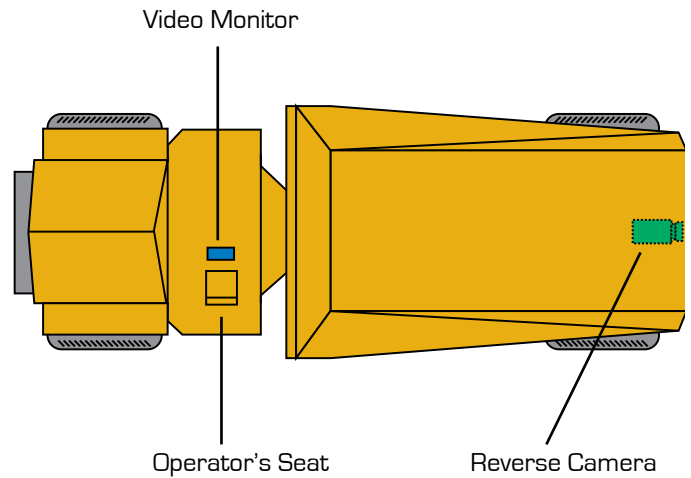
* Two camera system only. Monitor for two camera system shown, see back for one camera system. (Simulated video image)

HW1 - One Camera System



Comes with LCD full color monitor, high resolution color camera with wide angle lens, 12 foot power cable and 33 foot camera cable [other cable lengths optional].

Truck Example

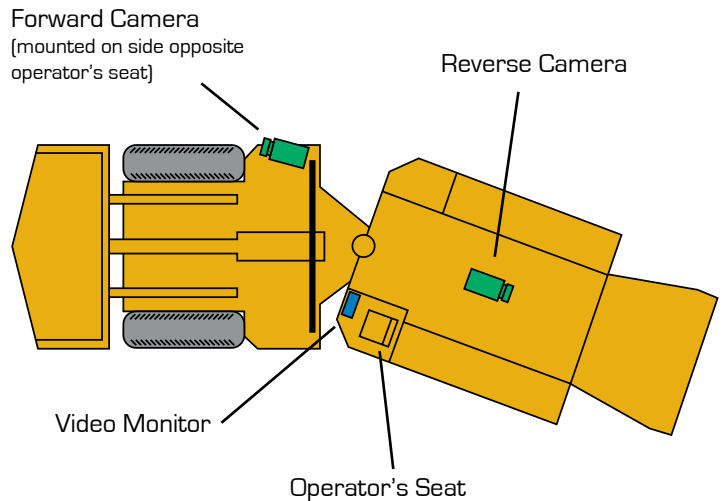


HW2 - Two Camera System



Comes with LCD full color monitor, two high resolution color cameras with wide angle lenses, 12 foot power cable and two 12 foot camera cables. [Other cable lengths and auto select input for reverse camera are optional.]

Low Profile Loader Example



* Specifications subject to change without notice. Consult the factory for verifications.



www.cattrongroup.com

Cattron Group International World Headquarters [Sharpsville, PA, USA]
ISO 9001:2000 Registered Tel: (+1) 724-962-3571 sales@cattrongroup.com

Cattron Group International [Escondido, CA]
Tel: (+1) 760-737-7800 sales@cattrongroup.com

Cattron-Theimeg Canada Ltd. [Georgetown, ON]
ISO 9001:2000 Registered Tel: (+1) 905-873-9440 salescdn@cattrongroup.com

Cattron-Theimeg UK Ltd. [Walton-on-Thames, UK]
BSEN/9001:2000 Registered Tel: +44(0)1932-247 511 sales@cattronuk.com

Cattron-Theimeg Americas Ltda. [São Paulo, Brazil]
Tel: (55) 19-3243-7803 cattronamericas@cattrongroup.com

Cattron-Theimeg Europe GmbH & Co. [Mönchenglabach, Germany]
ISO 9001:2000 Registered Tel: (49) 2161 6363-0 info@theimeg.de

Cattron-Theimeg Africa (PTY) Ltd. [Johannesburg, South Africa]
Tel: (27) 11-425-1123 cattronafrika@cattron-theimeg.com